

SWITCHES

Get on/off control for virtually every type of load, including LED lights, incandescents, halogens, electronic low voltage (solid state) transformers, magnetic (iron core) low voltage transformers, fluorescents, compact fluorescents, and motors, including ceiling fans and bathroom ventilation fans.

FEATURES:

- *Backlit button engraving with programmable color control for easy readability regardless of time of day or light level.*
- *Programmable RGB LEDs provide status feedback for lighting and other devices in the system.*
- *Ambient light sensor automatically adjusts backlight and status LED brightness depending on the light level in the room.*
- *Available in a wide array of gloss and satin colors.*

Control4® Wireless Switch



Control4® Wireless Switch, 120V/277V—C4-SW120277

Control4® Wireless Switch, 240V—C4-SW240

The Control4® Wireless Switch provides on/off control for a variety of load types. With its robust relay and high amperage rating, the Switch can handle even high in-rush loads such as fountain pumps or large banks of fluorescent lights. It can even be used to switch wall outlets.

- Compatible with a variety of load types including Incandescent, Halogen, Electronic Low Voltage (solid state) Transformers, Magnetic (iron core) Low Voltage Transformers, Fluorescents, Compact Fluorescents, LEDs and Motors
- Continuously measures energy being used by the attached load
- Elegant, sophisticated design makes a beautiful addition to any home or business
- Custom engraving available to clearly identify which light each switch controls
- Backlit button engraving with programmable color control for easy readability regardless of time of day or light level
- Programmable RGB LEDs provide status feedback for lighting and other devices in the system
- Ambient light sensor automatically adjusts backlight and status LED brightness depending on the light level in the room
- Available in a wide array of gloss and satin colors (See Available Colors)
- Control4® screw-less faceplates, sold separately, provide a sleek profile (See Available Accessories)

Control4® Wireless Switch

Model Number	C4-SW120277 and C4-SW240
Power Requirements	C4-SW120277: 110-277VAC +/-10%, 50/60Hz C4-SW240: 220VAC-240VAC +/-10%, 50/60Hz This device requires a neutral connection.
Power Consumption	120V: 400mW 240V: 950mW 277: 1150mW
Load Types and Ratings	
Supported Load Types	Incandescent, Halogen, Electronic (Solid State) Low Voltage (ELV) Transformers, Magnetic (Iron Core, Inductive) Low Voltage (MLV) Transformers, Fluorescents, Compact Fluorescents, LEDs, Motors
Maximum Load	120V: 15A, 1/2HP 277V: 8A, 1/2HP 240V: 10A, 1/2HP
Environmental	
Operational Temperature	32° F - 104° F (0° C - 40° C)
Humidity	5% to 95% non-condensing
Storage	-4° F - 158° F (-20° C - 70° C)
Miscellaneous	
Control Communications	ZigBee, IEEE 802.15.4, 2.4 GHz, 15-channel spread spectrum radio
Wallbox Volume	5.75 cubic inches (94.2 cubic centimeters)
Weight	0.12 lb (0.05 kg)
Shipping Weight	0.18 lb (0.08 kg)
Available Colors	
C4-SW120277 and C4-SW240	WH, LA, IV, BR, BL, SW, MB, BI, AU
C4-SW240	WH, BL, SW, MB, BI, AU
Available Accessories	
Faceplate, 1 Gang (C4-FP1-xx)	WH, LA, IV, BR, BL, SW, MB, BI, AU, SN, SS, VB
Faceplate, 2 Gang (C4-FP2-xx)	WH, LA, IV, BR, BL, SW, MB, BI, AU, SN, SS, VB
Faceplate, 3 Gang (C4-FP3-xx)	WH, LA, IV, BR, BL, SW, MB, BI, AU, SN, SS, VB
Faceplate, 4 Gang (C4-FP4-xx)	WH, LA, IV, BR, BL, SW, MB, BI, AU, SN, SS, VB
Color Kit (C4-CKSWITCH-xx)	WH, LA, IV, BR, BL, SW, MB, BI, AU
Engraved Button, Rocker (C4-EBDR-xx)	WH, LA, IV, BR, BL, SW, MB, BI, AU

Gloss Colors: WH=White, LA=Light Almond, IV=Ivory, BR=Brown, BL=Black
Satin Colors: SW=Snow White, MB=Midnight Black, BI=Biscuit, AU=Aluminum
Metal Finishes: SN=Satin Nickel, SS=Stainless Steel, VB=Venetian Bronze



Control4® Square Wireless Switch



Control4® Square Wireless Switch, 240V—C4-SSW240-N

The Control4® Square Wireless Switch combines a relay and configurable keypad for on/off control of a variety of load types. The keypad can be configured with two to seven buttons using five different buttons sizes for a total of 38 possible configurations.

- Wireless communication and standard wiring provide easy installation in new construction and retrofit environments.
- Compatible with a variety of load types including Incandescent, Halogen, Electronic Low Voltage (solid state) Transformers, Magnetic (iron core) Low Voltage Transformers, Fluorescents, Compact Fluorescents, LEDs and Motors .
- Continuously measures energy being used by the attached load.
- Elegant, sophisticated design makes a beautiful addition to any home or business.
- Custom engraving available to clearly identify each button.
- Backlit button engraving with programmable color control for easy readability regardless of time of day or light level.
- Programmable RGB LEDs provide status feedback for lighting and other devices in the system.
- Configure with two to seven buttons using five different button sizes for a total of 38 possible configurations.
- Easy reconfiguration means there's no need to worry about how many buttons will be needed on a specific switch before (or even after) installation.
- Ships as "Neutral" device with no buttons included. Keypad-style button kit and Rocker-style button kits sold separately in a variety of colors (see "Available accessories").
- Ambient light sensor automatically adjusts backlight and status LED brightness depending on the light level in the room.
- Control4® screw-less faceplates, sold separately, provide a sleek profile (see "Available accessories").
- Installs in standard square (UK/China-style) or round (EU-style) wall boxes. Round (EU-style) wall boxes require trim ring (see "Available accessories").

Control4® Square Wireless Switch

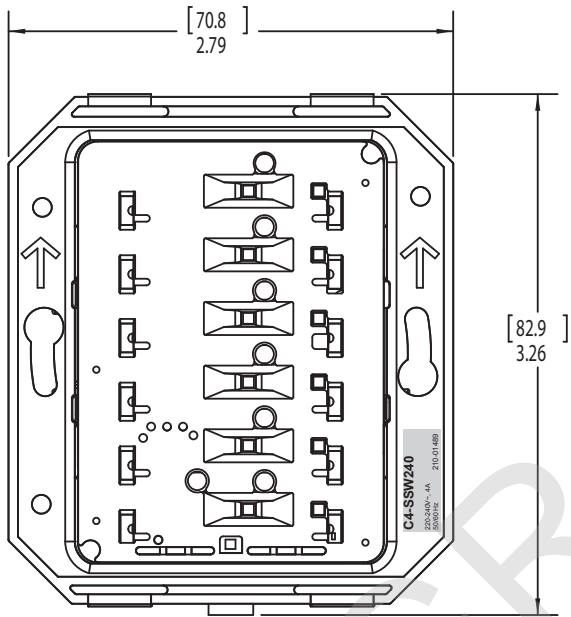
Model number	C4-SSW240-N
Power requirements	220VAC-240VAC +/-10%, 50/60 Hz This device requires a neutral connection.
Power consumption	950mW
Load types and ratings	
Supported load types	Incandescent, halogen, electronic (solid state) low-voltage (ELV) transformer, magnetic (iron core, inductive) low-voltage (MLV) transformer, compact fluorescent, LED, and motor.
Maximum load	
Incandescent (tungsten)	4A
Halogen	4A
Fluorescent	3A
Compact fluorescent (CFL)	3A
LED	1A
Motors	1/8 HP
Environmental	
Operational temperature	0°C - 40°C (32°F - 104°F)
Humidity	5% to 95% non-condensing
Storage	-20°C - 70°C (-4°F - 158°F)
Miscellaneous	
Control communications	ZigBee, IEEE 802.15.4, 2.4 GHz, 15-channel spread spectrum radio
Wires per connector	One 0.5 mm ² - 2.5 mm ² OR Two 0.5 mm ² - 1.5 mm ²
Dimensions	83 × 71 × 33 mm (3.3 × 2.8 × 1.3 in)
Depth in wall box	25.8 mm (1.0 in)
Weight	0.08 kg (2.8 oz)
Shipping weight	0.14 kg (4.9 oz)
Available accessories	
Square Device Keypad Button Kit (C4-CKSK-xx)	WH, SW, BL, MB, AU
Square Device Rocker Button Kit (C4-CKSR-xx)	WH, SW, BL, MB, AU
Square Faceplate (C4-SFP1-xx)	WH, LA, IV, BR, BL, SW, MB, BI, AU, SN, SS, VB
Square Dual Faceplate (C4-SFP2-xx)	WH, BL, SW, MB, AU
Square Trim Ring (C4-SSTR-xx)	WH, BL, SW, MB, AU
Square Dual Trim Ring (C4-SDTR-xx)	WH, BL, SW, MB, AU
Engraved Button, Single High (C4-EBD1H-xx)	WH, LA, IV, BR, BL, SW, MB, BI, AU
Engraved Button, Double High (C4-EBD2H-xx)	WH, LA, IV, BR, BL, SW, MB, BI, AU
Engraved Button, Triple High (C4-EBD3H-xx)	WH, LA, IV, BR, BL, SW, MB, BI, AU
Engraved Button, Rocker (C4-EBDR-xx)	WH, LA, IV, BR, BL, SW, MB, BI, AU

Gloss colors: WH=White, LA=Light Almond, IV=Ivory, BR=Brown, BL=Black
Satin colors: SW=Snow White, MB=Midnight Black, BI=Biscuit, AU=Aluminum
Metal finishes: SN=Satin Nickel, SS=Stainless Steel, VB=Venetian Bronze

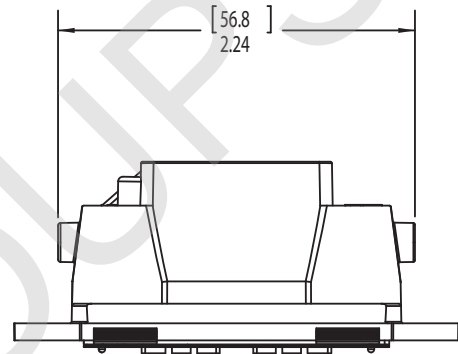


SQUARE WIRELESS SWITCH
 SKU: C4-SSW240-N

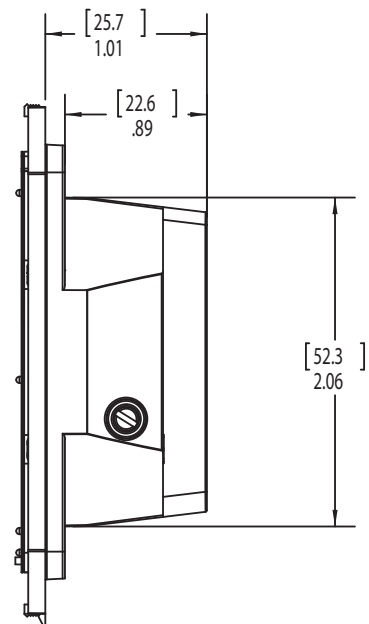
FRONT



TOP



SIDE



BACK

